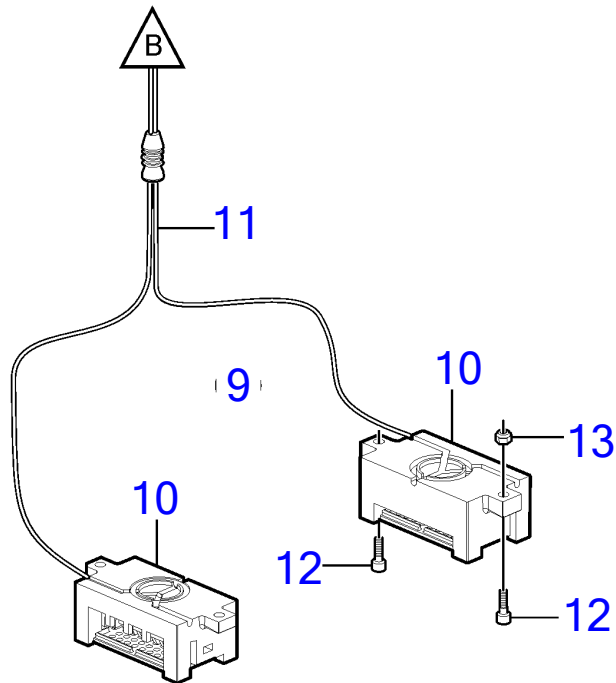
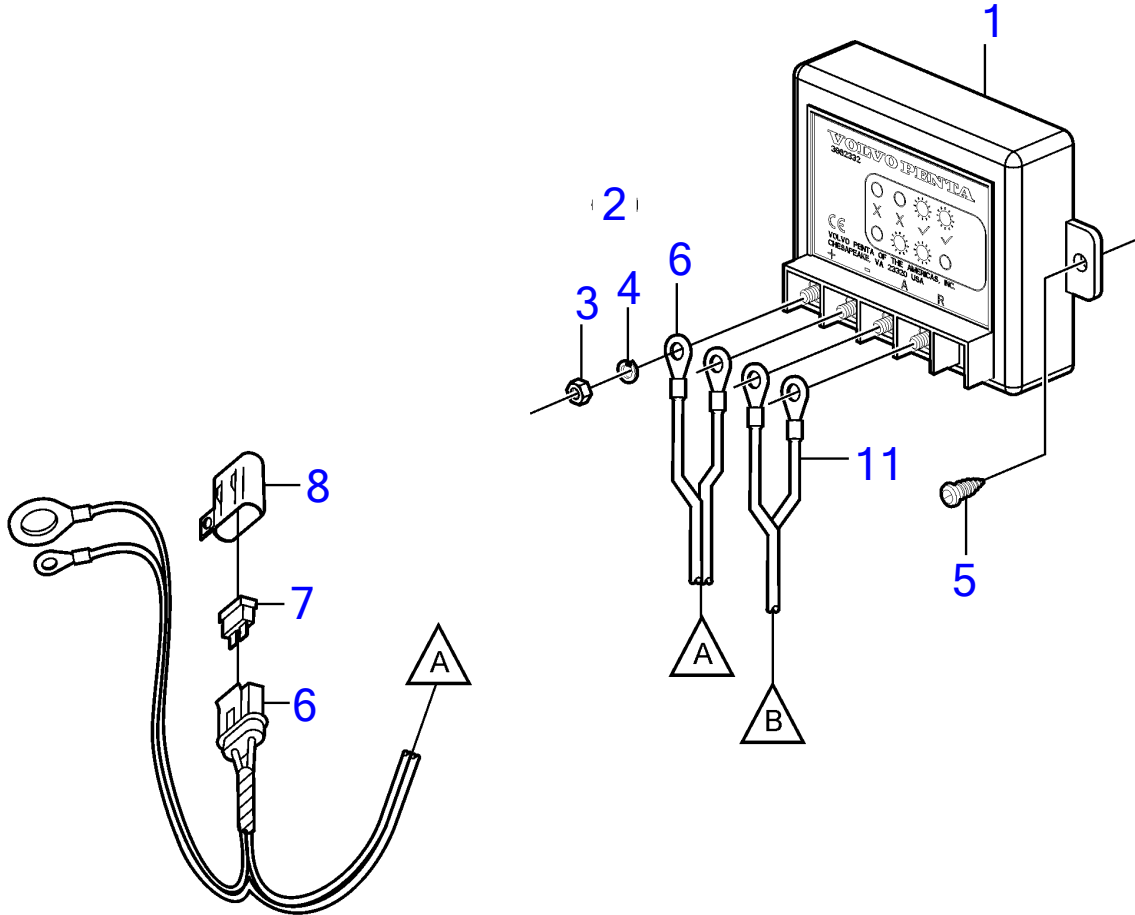


SX-MACLT, SX-MDC, SX-MBAC



## SX-MACLT, SX-MDC, SX-MBAC

REF	PART NO.	QTY	DESCRIPTION	NOTES
1	3862332	1	Electronic unit	
2	3817349	1	Kit	
3	940119	4	• Hexagon nut	
4		4	• Lock washer	
5		2	• Screw	
6	3855793	1	Wiring harness	
7	8072808	1	• Cover	
8	983966	1	• Fuse	1 amp
9	3587782	1	Anode kit	
10		2	• Sensor	
11		1	• Wire	
12	959403	4	Hex. socket screw	
13	990196	2	Nut	